



**MANUFACTURING CORPORATION**

**REFUSE & RECYCLING BODY COMPANY**

Established 1946

**ROUTE KING SERIES**

# Single Axle Front Loader



**KANN 26 yd<sup>3</sup> Single Axle Full Eject Front Loader for  
Commercial or Residential Collection of  
Refuse or Recycling!**

**For FREE Route Demonstration at Your Site Call 800-806-5266**

**KANN Manufacturing Corporation**

210 Regent Street  
Post Office Box 400  
Guttenberg, IA 52052 USA

Phone 563-252-2035  
Fax 563-252-3069  
Email [sales@kannmfg.com](mailto:sales@kannmfg.com)  
Web [www.kannmfg.com](http://www.kannmfg.com)





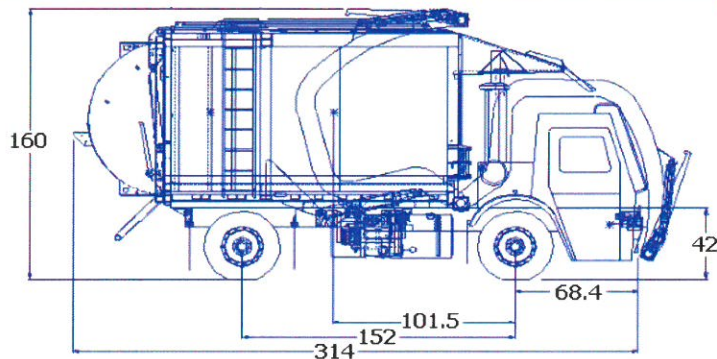
# MANUFACTURING CORPORATION

## REFUSE & RECYCLING BODY COMPANY

Established 1946

### Route King SERIES

### Single Axle Front Loader



WT-0170

	Front Axle		Front Axle		Total
	lbs.	%	lbs.	%	lbs.
Chassis	11,325	72.3%	4,349	27.7%	15,674
Body	5,150	33.2%	10,350	66.8%	15,500
Driver	232	115.8%	-32	-15.8%	200
Empty Weight	16,706	53.2%	14,668	46.8%	31,374
Payload	-789	-10.5%	8,289	110.5%	7,500
Total Weight	15,917	40.9%	22,957	59.1%	38,874

DECLARATIONS:  
26 YD BODY  
8,000# ARMS  
MACK LE 152" WB  
AXLES-20,000 FRONT / 26,000 REAR

LIMITS:  
FEDERAL BRIDGE LAW = 40,000  
FRONT AXLE LIMIT = 20,000  
REAR AXLE LIMIT = 20,000



TITLE: CHASSIS  
26 YD BODY  
MACK LE 152" WB  
101" RD OF LWB  
WT-0170

NOTE: WEIGHT AND CAPACITY LIMITS ARE BASED ON RETAIL BASIS. THESE VALUES WILL VARY WITH CHASSIS, BODY, AND TAG SPECIFICATIONS.

### Standard Features

- Finish Paint Single Color
- Front Mount Gear Pump
- Auto Lock Tailgate
- Cab Shield Canopy Cover
- Curved "Uni-Body" Design
- Body Side Ladder
- Body Sump
- Rear Vision Camera
- LED Light Package
- Side Access Door(s)
- Pack-on-the-Go
- 8000 lb. Arms
- Hopper Top Door

### Automated Curotto Can Attachment



### Semi Automated Kann Carry Can Attachment



### Collect Front & Rear Load Bins w/ Kann Adapter



### KANN Manufacturing Corporation

210 Regent Street  
Post Office Box 400  
Guttenberg, IA 52052 USA

### FEATURES & SPECIFICATIONS

#### FUNCTIONS

- Load Cycle: 23 seconds
- Compactor Cycle: 25 seconds
- Unload Eject Cycle: 45 seconds

#### STANDARD SPECIFICATIONS

##### \* Weights & Dimensions

- Body Capacity: 14 yd<sup>3</sup>
- Hopper Capacity: 12 yd<sup>3</sup>
- Body Height: 113"
- Body Width: 96" Maximum
- Body Length: 314"
- Arms Up: 378"
- Arms Down: 378"
- Body Weight: 15,500 lbs

##### \* Body Construction

- Body Walls: 1/8" AR200
- Body Roof: 1/8" 80 ksi
- Body Floor: 3/16" AR400
- Hopper Floor: 3/16" AR400
- Hopper Walls: 1/8" AR200

- Compactor: Blade Face 1/4" AR400, Blade Sides 3/16" AR200
- Tailgate: 1/8" 80 ksi
- Arms: 3/16" 50 ksi
- Forks: 1/2" T1 160 ksi, 1" thick T1 160 ksi

##### \* Hydraulics

- Operating Pressure: 1850 psi
- Pump Flow: 55 GPM
- Oil Reservoir: 66 Gallon
- Packing Force: 88,000
- Cylinders: Compactor 2 x 5.5" Bore, Arm 2 x 5" Bore, Fork 2 x 3.5" Bore, Tailgate 2 x 3" Bore, Hopper Cover 1 x 2.5" Bore
- Hydraulic Hose: 4 to 1 burst
- Return Filter: 10 micron

For FREE Route Demonstration at Your Site Call 800-806-5266